


# Type BM14C Load Cell



## Short description



- Stainless steel IP68 compression load cell
- Hermetically sealed
- Suitable for vehicle and hopper scales and vehicle testing facilities
- Built in surge arrestors
- High accuracy
- Current calibrated (sc-option)

 test certificate no. D09-07.03 Revision 1

## Available models

Capacity	Accuracy	Full article description
0.5t	C3 Excluded from OIML	BM14C-C3-0.5t-15B-SC
1t	C3 Excluded from OIML	BM14C-C3-1t-15B-SC
2t	C3 Excluded from OIML	BM14C-C3-2t-15B-SC
3t	C3 Excluded from OIML	BM14C-C3-3t-15B-SC
5t	C3 Excluded from OIML	BM14C-C3-5t-15B-SC
10t	C3/C4	BM14C-C3/C4-10t-15B-SC
20t	C3/C4	BM14C-C3/C4-20t-15B-SC
25t	C3/C4	BM14C-C3/C4-25t-15B-SC
30t	C3/C4	BM14C-C3/C4-30t-15/18B-SC
40t	C3/C4	BM14C-C3/C4-40t-15/18B-SC
50t	C3/C4	BM14C-C3/C4-50t-15/18B-SC

Specifications and dimensions are subject to change without notice and do not constitute any liability whatsoever.

# Type BM14C Load Cell

## Detailed specifications BM14C

Accuracy class		C3	OIML R60 C3	OIML R60 C4
Output sensitivity ( = FS )	mV/V	2.0 ± 0.002		
Maximum capacity ( E <sub>max</sub> )	t	0.5, 1, 2, 3, 5	10, 20, 25, 30, 40, 50	
Max.number of load cell intervals	n <sub>LC</sub>	3000		4000
Ratio of min. LC verification interval	$Y = E_{max} / v_{min}$	10000		15000
Combined Error	%FS	≤± 0.023		≤± 0.0174
Minimum dead load	Of E <sub>max</sub>	0%		
Safe overload	of E <sub>max</sub>	150 %		
Ultimate overload	of E <sub>max</sub>	300 %		
Zero balance	of FS	< ± 1.0 %		
Excitation, recommended voltage	V	5 ~ 12		
Excitation maximum	V	18		
Input resistance	Ω	700 ± 7		
Output resistance	Ω	703 ± 4		
Insulation resistance	MΩ	≥5000 ( at 50VDC )		
Compensated temperature	°C	-10 ~+40		
Operating temperature	°C	-35 ~ +65		
Storage temperature	°C	-40 ~ +70		
Element material		Stainless steel		
Ingress Protection (acc. to EN 60529)		IP68		
Recommended torque on fixation	Nm	-		
ATEX classification (optional)		II1G Ex ia II1C T4	II1D Ex iaD 20 T73°C	II3G nL IIC T4

## Wiring

### Wiring:

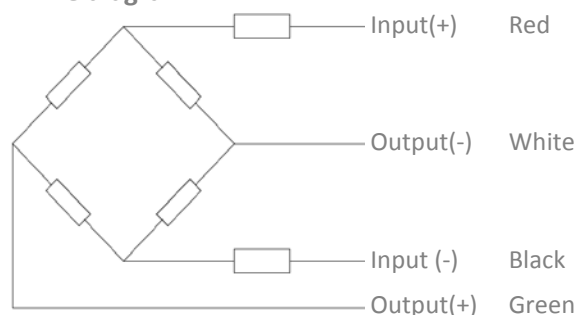
Shielded, 4 conductor cable.

Cable diameter: Ø5mm

Standard cable length for all C3: 15m and for C4 above 30t: 18m.

Shield not connected to element

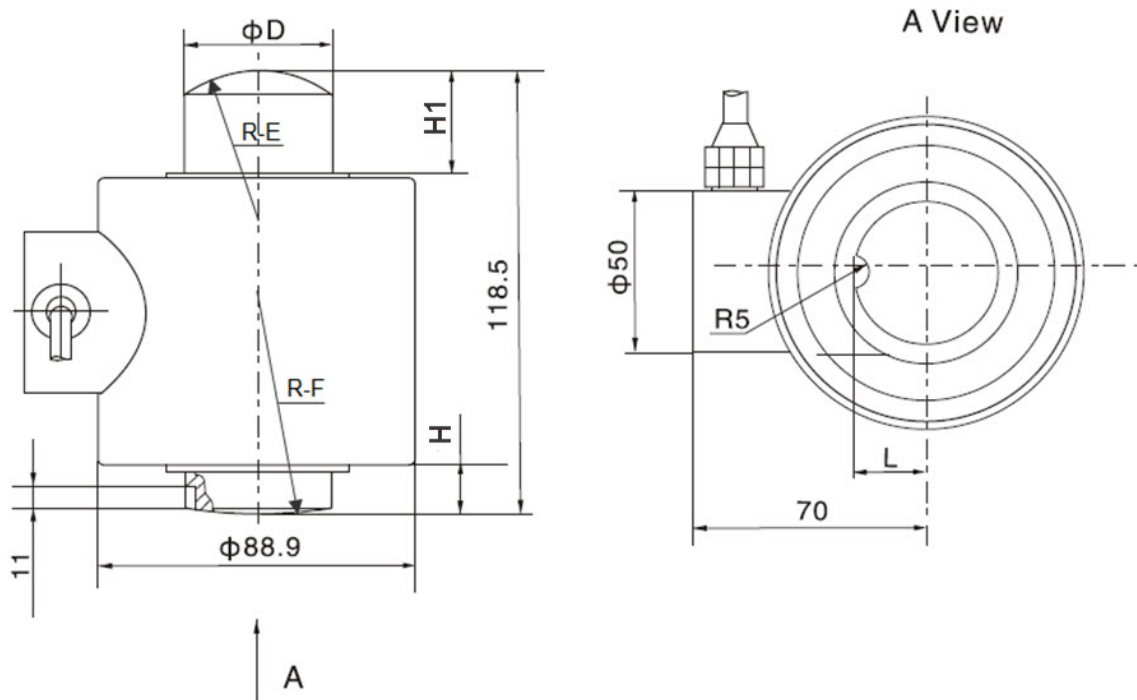
### 4-wire diagram



Specifications and dimensions are subject to change without notice and do not constitute any liability whatsoever.

# Type BM14C Load Cell

Dimensions in mm

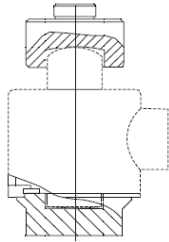
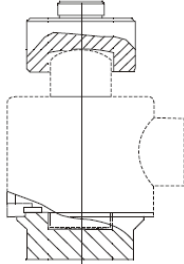
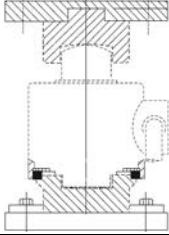
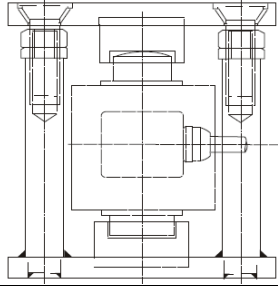
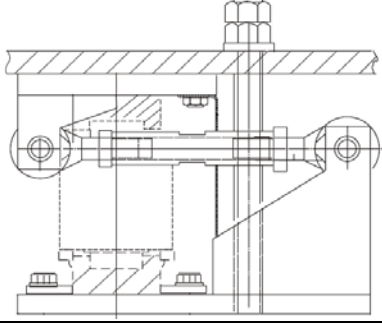
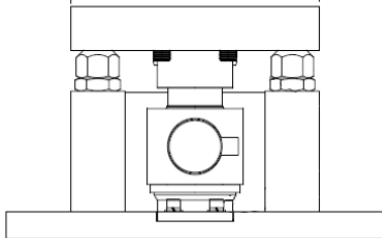


Dimension Capacity	$\phi D$	L	R-E	R-F	H	H1
0.5-30t	40	22	37.5	150	14	31.5
40-50t	50	27	200	200	21	24.5

Specifications and dimensions are subject to change without notice and do not constitute any liability whatsoever.

# Type BM14C Load Cell

## Available accessories

<p><b>BY-14-103-10-50t</b></p> <ul style="list-style-type: none"> <li>• Easy installation</li> <li>• Good self-aligning ability</li> <li>• Stainless steel</li> <li>• Anti-reversal ability</li> <li>• Can be used under hazardous environments</li> </ul>	
<p><b>HY-14-104-10-30t</b></p> <ul style="list-style-type: none"> <li>• Easy installation</li> <li>• Good self-aligning ability</li> <li>• Nickel plated alloy steel</li> <li>• Anti-reversal ability</li> </ul>	
<p><b>HM-14-403-10-50t</b></p> <ul style="list-style-type: none"> <li>• Compact construction</li> <li>• Easy installation</li> <li>• Self aligning construction</li> <li>• Nickel plated alloy steel</li> </ul>	
<p><b>BM-14-414-0.5-50t Mount</b></p> <ul style="list-style-type: none"> <li>• Stainless steel mount</li> <li>• Easy load cell access</li> <li>• Lift-off protection</li> <li>• Controlled horizontal movement</li> <li>• Rocker support included with mount delivery</li> </ul>	
<p><b>HM-14-401-10-50t Mount</b></p> <ul style="list-style-type: none"> <li>• Compact construction</li> <li>• Easy installation</li> <li>• Self aligning construction</li> <li>• Horizontal locating ability</li> <li>• Anti-reversal ability</li> <li>• Nickel plated alloy steel</li> </ul>	
<p><b>HM-14-434 10-50t Tank mount</b></p> <ul style="list-style-type: none"> <li>• Nickel plated alloy steel</li> <li>• Easy load cell access</li> <li>• Lift-off protection</li> <li>• Controlled horizontal movement</li> </ul>	

Specifications and dimensions are subject to change without notice and do not constitute any liability whatsoever.